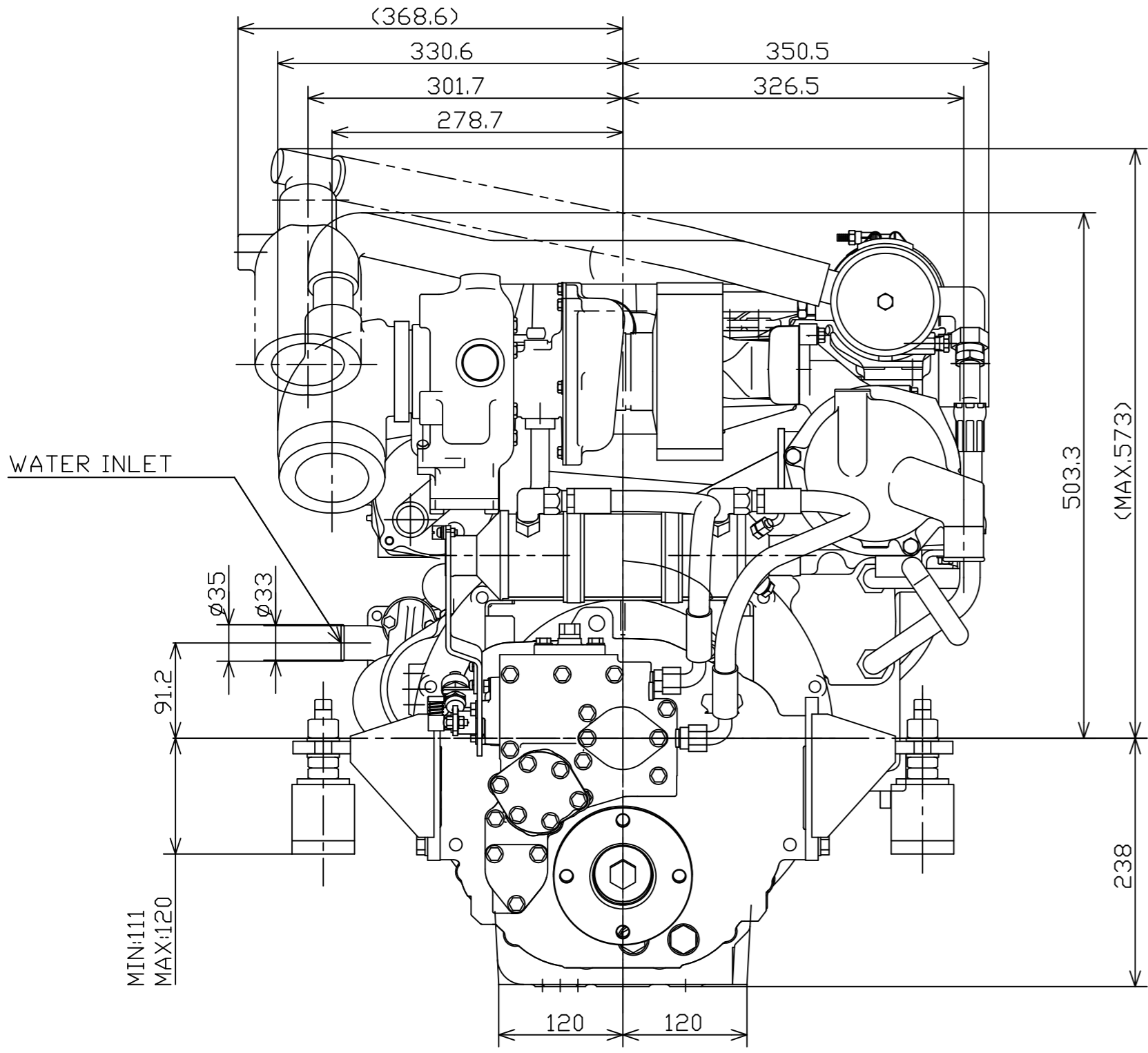
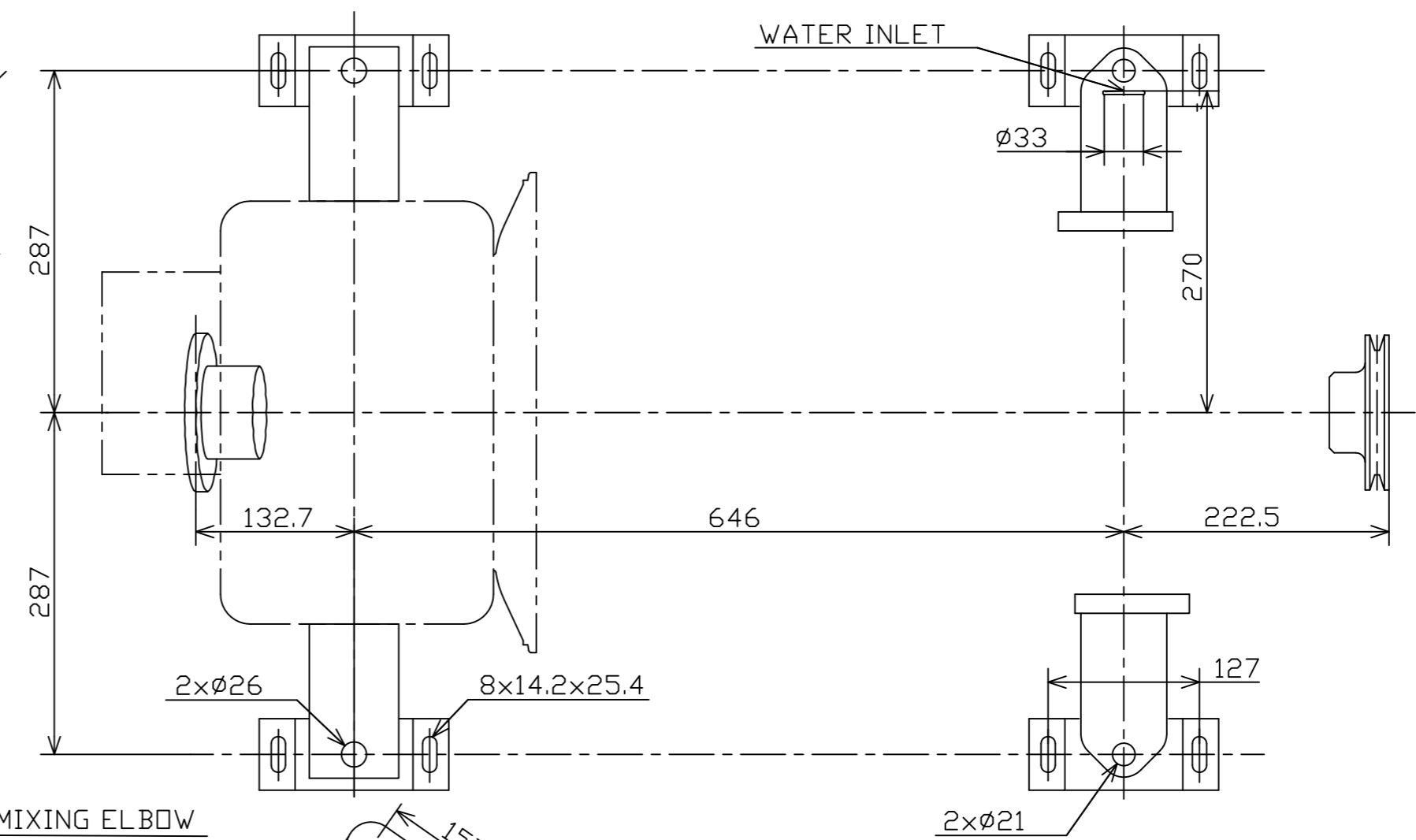
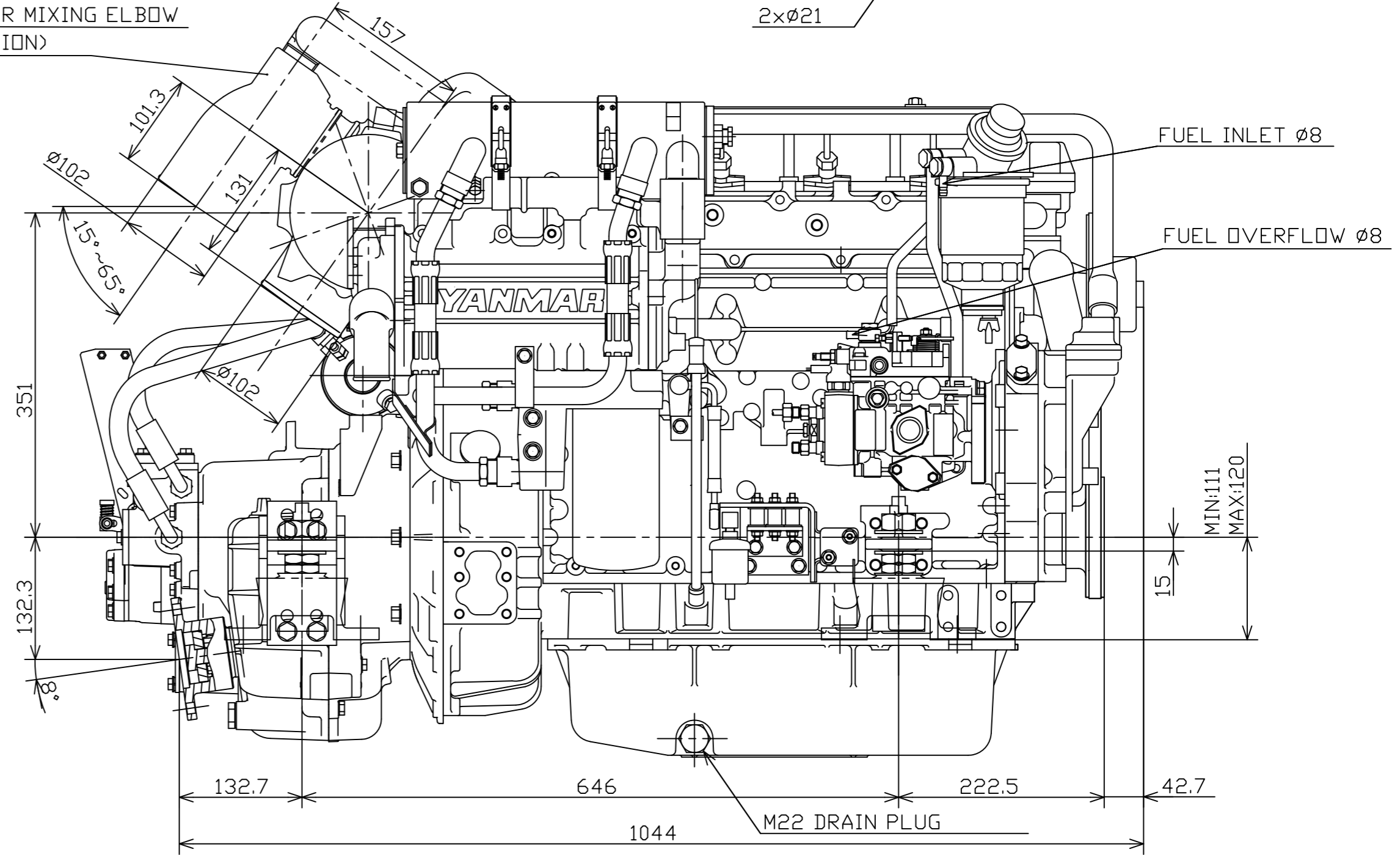


DETAIL OF COUPLING<1/2.5>

DETAIL OF PULLEY<1/2.5>



RISER MIXING ELBOW (OPTION)



NOTES
 1)DWG. SHOWS MOUNTING BLOCKS AT COMPRESSED HEIGHT<COMPRESSED BY APPROX 5mm>.
 2)MOUNT P/#:119175-08440<BARRY><OPTION>

SPECIFICATIONS		
ENGINE MODEL		4LHA-HTP
CONTINUOUS POWER (ISO 3046-1) (AT CRANKSHAFT)	kW/min ⁻¹	91.2/3100
FUEL STOP POWER (ISO 3046-1) (AT CRANKSHAFT)	kW/min ⁻¹	118/3300
DIRECTION OF CRANKSHAFT ROTATION		COUNTER-CLOCKWISE
MARINE GEAR MODEL		KMH50A
REDUCTION RATIO		1.67/2.13/2.43
DIRECTION OF OUTPUTSHAFT ROTATION		BOTH
DRY MASS WITH MARINE GEAR	kg	APPROX.380

SCALE	NAME	MODEL
1:5<1:2.5>	OUTLINE	4LHA-HTP X KMH50A
DATE	ORIGINAL DRAWING NUMBER	REVISION
2-10-2010	B2-19172-1010	0

